



# deltasteamsystems

## 25 DSV™

### VENTURI ORIFICE STEAM TRAP



#### Description

The Delta 25DSV Venturi Orifice Steam Trap is designed for multipurpose applications from line drainage and trace heating, through to medium to large process applications. The 25DSV has an integrated strainer and an in-line removable orifice insert. The body of the 25DSV does not have to be removed from the line for maintenance purposes. Access to the insert orifice and strainer is through the top and bottom caps.

#### Standards

This product fully complies with the requirements of the European Pressure Equipment Directive 97/23/EC as well as SANS 347:2007.

#### Certification

Manufacturer's test report is available upon request. Additional certification requirements to be stated at time of order.

#### Sizes and Connections

DN25 (1")  
Threaded / Socket Weld

#### Optional extras

Optional blow down valve available for periodic cleaning of the filter.

#### Pressure / temperature limits

PMA (Maximum Allowable Pressure)	100 bar g	(1450psi g)
TMA (Maximum Allowable Temperature)	550°C	(1022°F)
PMO (Maximum Operating Pressure)	62 bar g	(1305 psi g)
TMO (Maximum Operating Temperature)	550°C	(1022°F)

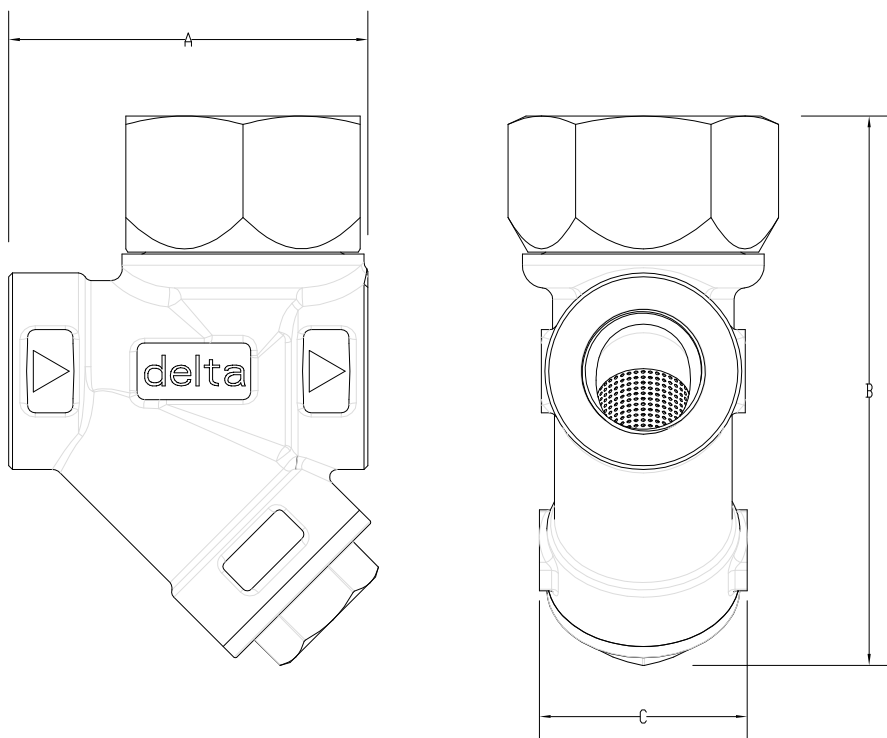
Cold hydraulic test pressure 200 bar g (2900 psi g)

#### Guarantee

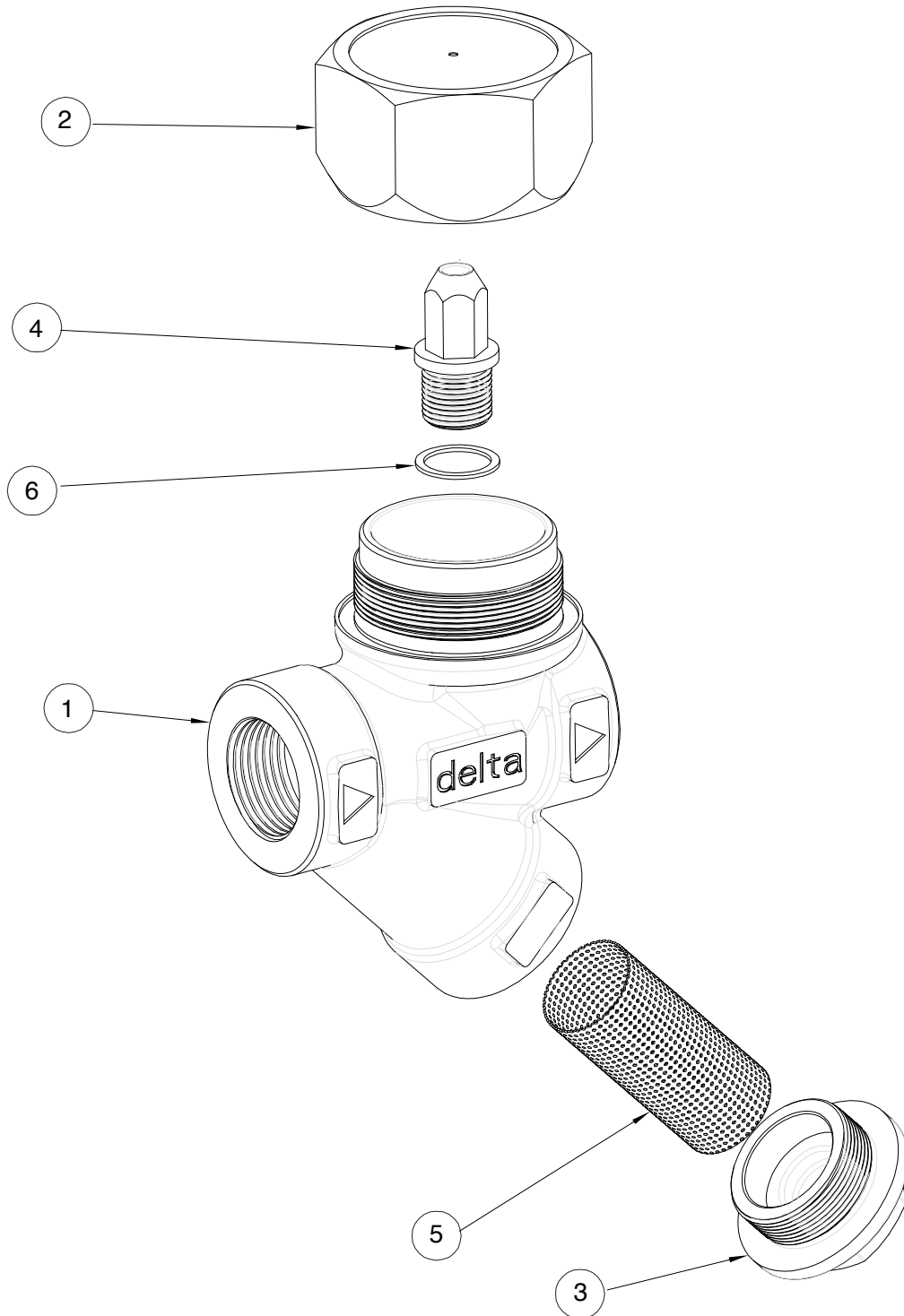
10 year product guarantee as per standard terms and conditions

#### Dimensions and weights

Size	Connection	A	B	C	Weight
DN25 (1")	DN25 Threaded BSP (NPT on request) / SW	95mm	143mm	54mm	2,3kg



## Assembly



No.	Part	Material
1	Body	ASTM A351 – CF3M
2	Top Cap	ASTM A351 – CF3M
3	Strainer Cap	ASTM A351 – CF3M
4	Removable Orifice Insert	304 Stainless Steel
5	Primary Strainer	316 Stainless Steel
6	Orifice Gasket	Graphite

## Torque Settings

2	Top Cap	80 Nm
3	Strainer Cap	80 Nm
4	Removable Orifice Insert	10 Nm