



deltasteamsystems

nHRi™

FLANGED VENTURI ORIFICE STEAM TRAP



Description

The Delta nHRi™ Venturi Orifice Steam Trap is designed for high-load process applications including heat exchangers, reboilers, process columns, etc.

The nHRi™ has a removable orifice insert. It is recommended that a strainer be fitted upstream of the trap.

Standards

This product fully complies with the requirements of the European Pressure Equipment Directive 97/23/EC as well as SANS 347:2007.

Certification

Manufacturer's test report is available with this product. Additional certification requirements to be stated at time of order.

Sizes and Connections

DN25 (1") - DN100 (4")

Flanged

BS 4504, PN16 - 100 and ASME B16.5, 150 - 900

Pressure / temperature limits

PMA (Maximum Allowable Pressure) 250 bar g (3625 psi g)

TMA (Maximum Allowable Temperature) 550°C (1022°F)

PMO (Maximum Operating Pressure) 200 bar g (2900 psi g)

TMO (Maximum Operating Temperature) 550°C (1022°F)

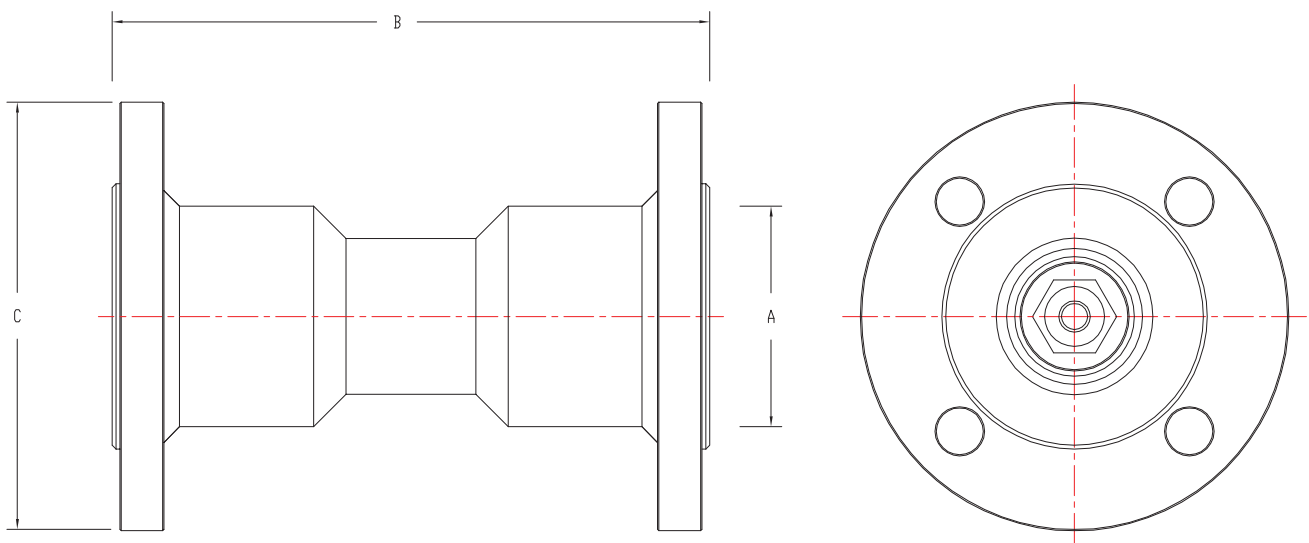
Cold hydraulic test pressure 375 bar g (5438 psi g)

Guarantee

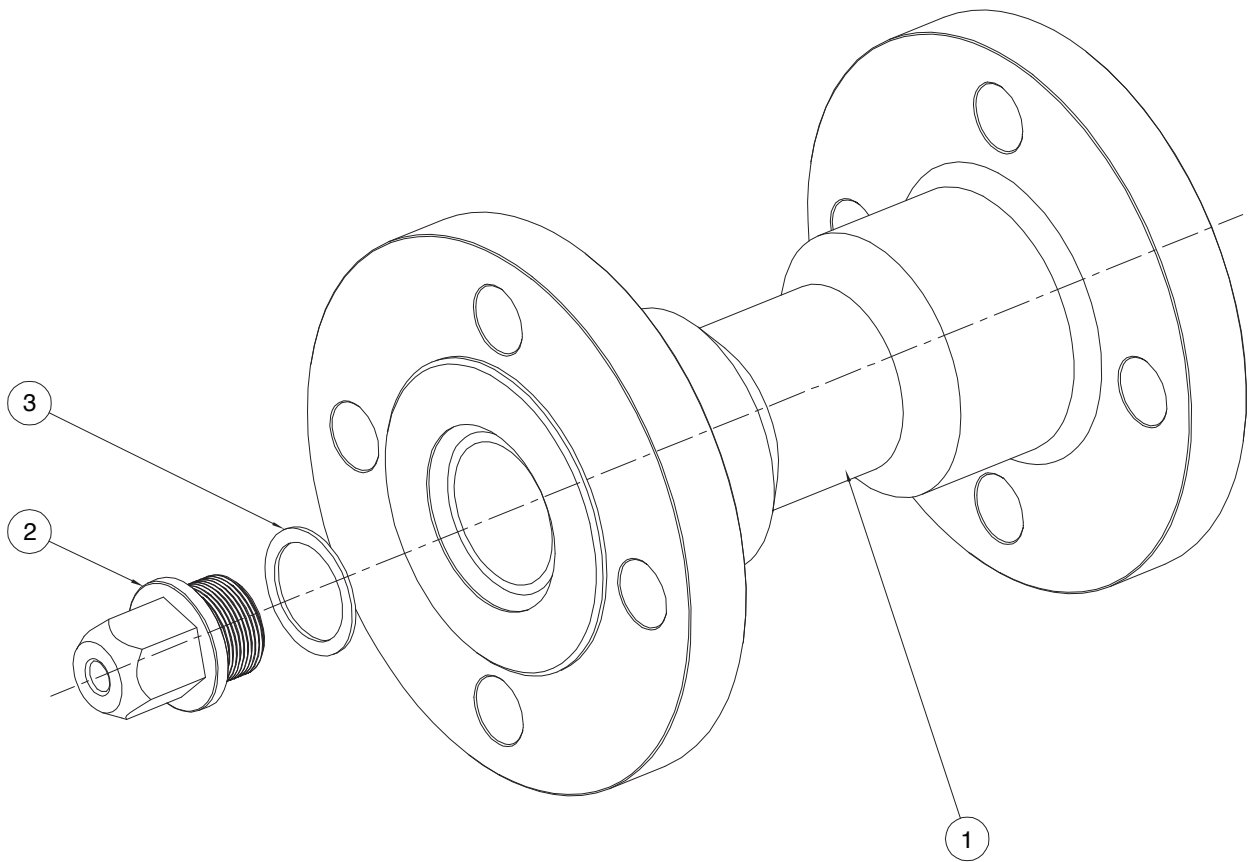
10 year product guarantee as per standard terms and conditions

Dimensions and Weights

Size	Connection	A	B	C	Weight
DN25	Flanged	55 mm	160 mm	115 mm	4.4 kg
DN40	Flanged	75 mm	230 mm	150 mm	8.6 kg
DN50	Flanged	85 mm	230 mm	165 mm	10.5 kg
DN80	Flanged	95 mm	280 mm	150 mm	16.5 kg
DN100	Flanged	105 mm	280 mm	165 mm	22.5 kg



Assembly



No.	Part	Material
1	Flanged Body	304 Stainless Steel
2	Removable Orifice Insert	304 Stainless Steel
3	Gasket	Graphite

Torque Settings

2	Removable Orifice Insert	DN25 - 55 Nm DN40 - 60 Nm DN50 - 60 Nm DN80 - 60 Nm DN100 - 65 Nm
---	--------------------------	---